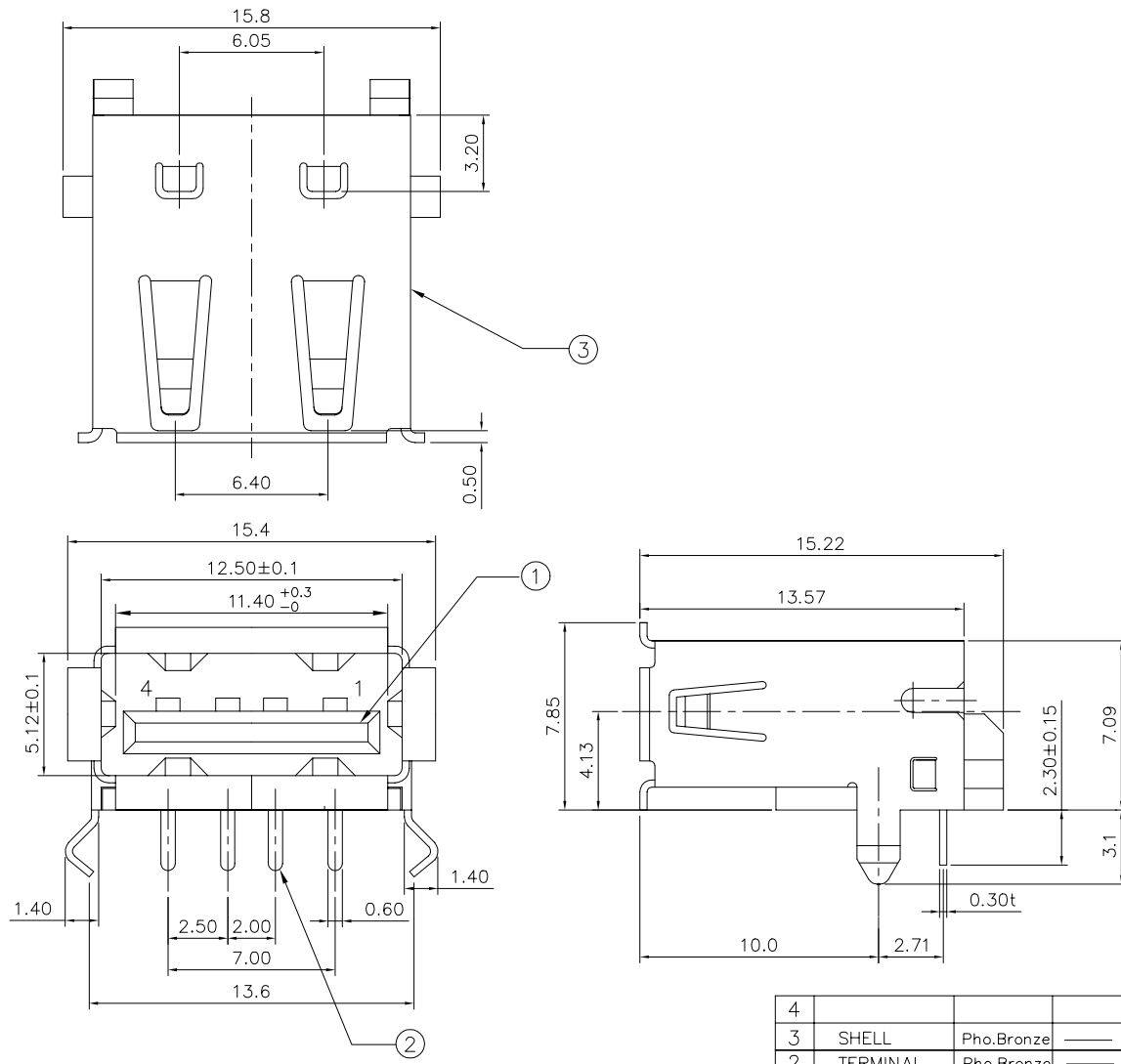


NOTE(1):

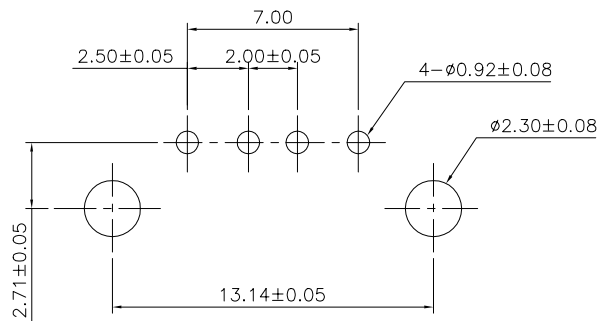
020137MR004□□05ZR

1. Selective plating

- 'S1,-05u" select gold in contact/
Min. 100u" tin in solder area
- 'S2,-Gold flash in contact area/
Min. 100u" tin in solder area
- 'S3,-10u" select gold in contact/
Min. 100u" tin in solder area
- 'S4,-15u" select gold in contact/
Min. 100u" tin in solder area
- 'S5,-30u" select gold in contact/
Min. 100u" tin in solder area
- 'S6,-50u" select gold in contact/
Min. 100u" tin in solder area



Recommended P.C.B Layout (Component Side)



NO.	DESCRIPTION	MATERIAL	COLOR	REMARK
4				
3	SHELL	Pho.Bronze	—	Tin Plated
2	TERMINAL	Pho.Bronze	—	Selective Gold/Tin
1	HOUSING	NY-6T	BLACK	UL 94V-0

SUYIN
CONNECTOR

CUSTOMER COPY TITLE: USB CONNECTOR R/A DIP TYPE, Series A.

PART NO.	020137MR004SX05ZR
PART NO. (OLD)	
DRAWING NO. <small>D/ING</small>	020137MR004SX05ZR
SCALE	4:1
UNIT	mm
	A4

ECN (DCN) NO.	REV	DATE	DESCRIPTION	CHANGE	APPRO.	GENERAL TOLERANCE UNLESS OTHERWISE NOTED	APPRO.
0			NEW			Angle ±2° 30 ~ ±0.50 10 ~ 30 ±0.30 ~ 10 ±0.15	DRAW DESIGN CHECK APPRO.